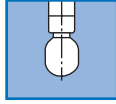


TANKO® CP3F



360°

The TANKO® CP3F is a slow-rotation jet cleaner with fan nozzles.

With cleaning performance between the rotating spray balls of the TANKO® S series and the jet cleaners of the TANKO® JM series, the TANKO® CP3F offers a more cost-effective way to effectively clean vessels with a diameter of up to 8 m. Thanks to its slow and even rotation combined with the strong impact of the fan nozzles, the TANKO® CP3F is suitable for cleaning tanks whose contents tend to adhere more strongly.

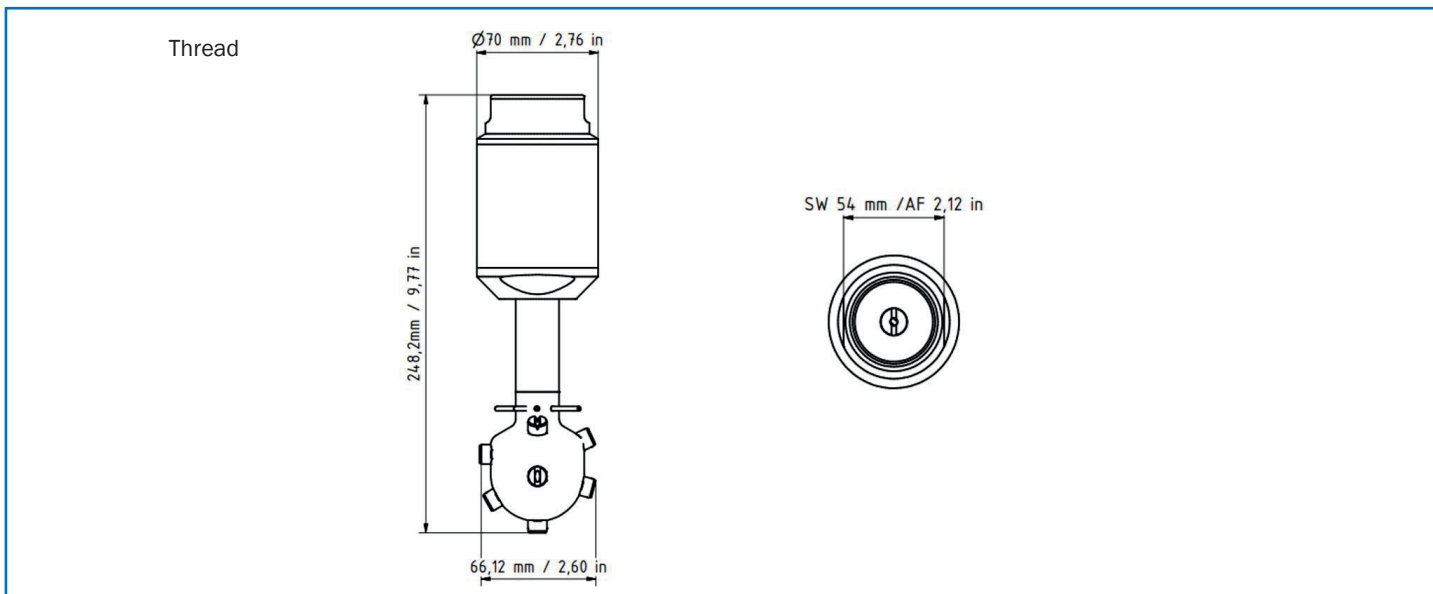
The TANKO® CP3F is a slide-bearing system with a simple design consisting of just a few moving parts. It offers low maintenance, a compact and reliable solution for cleaning tasks with different cleaning media and a wide temperature range.

All consumption specifications are for orientation only.
The dimensions listed are in mm and are nominal dimensions.

Technical Parameters

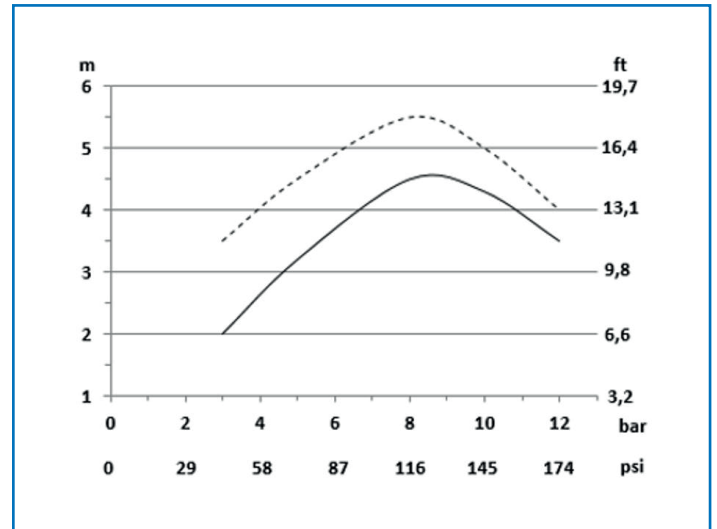
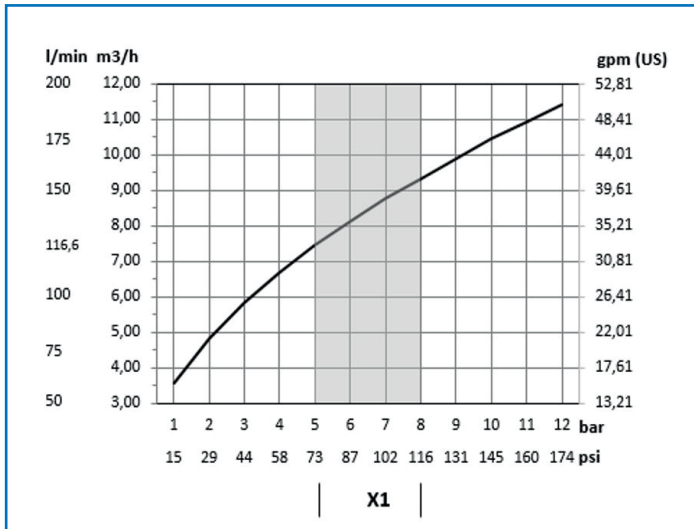
Spray angle:	360°
Materials:	1.4404 (316L), 1.4401 (316), PTFE
Connections:	1 1/2" BSP or NPT female thread
Operating pressure:	Cleaning medium: 3 - 12 bar / 43.5 - 174 psi
Working temperature:	Cleaning medium: max. 95 °C / 203 °F
Ambient temperature:	inside the vessel: max. 140 °C / 284 °F outside the vessel: min. -20 °C / -4 °F, max. +40 °C / 104 °F
Sterilization temperature:	250 °F for a short time
Volume flow rate:	3.5 - 11.4 m ³ /h / 59.2 - 190 l/min / 15.65 - 50.8 gpm (US)
Rotation speed:	2 - 30 rpm
Weight:	2.6 kg
Range:	Cleaning radius: max. 4 m / 13 ft; Wetting radius: max. 5 m / 16.4 ft
Installation position:	vertically suspended (other positions possible with reduced service life of the plain bearings)
Min. installation opening:	Ø 72 mm / 2.83 in

Dimensions



TANKO® CP3F

Consumption Data and Throw Length Data



X1 – recommended operating pressure

--- Wetting radius — Cleaning radius

Ordering Information

TANKO® CP3F

Article no.	Connection	Spray angle	Price/EUR
669 D28 100 1320	1 1/2" BSP (female thread)	360°	950.00
669 D28 100 1420	1 1/2" NPT (female thread)	360°	950.00

Services

Measuring Report

Number of measuring points	Description	Price/EUR
3	Roughness	35.00
5	Roughness	55.00