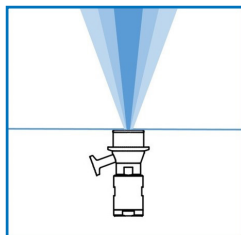


TANKO® GC



The compact TANKO GC spray cleaner is designed for the targeted cleaning of the insides of tanks and their internal components.

The key design feature of the TANKO GC is its flush mounting to the inside of the vessel, making it completely unobtrusive during the production process with no risk of collision with agitators, mixers or scraper blades. It also allows for a variety of mounting positions which would not be possible with conventional cleaning devices.

The TANKO GC spray cleaners are suitable for use as a stand-alone device but are more commonly used in conjunction with more conventional existing cleaning devices targeting difficult to reach shadow areas such as the underside of agitator blades etc.

Durable bellows made of either modif. PTFE or modif. UHMW-PE are used. UHMW-PE is the "PFAS-FREE" alternative solution.

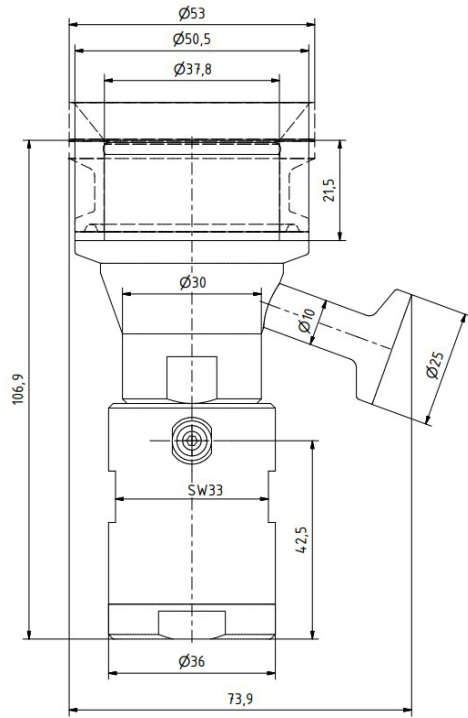
All consumption specifications are for guidance purposes.
The dimensions listed are in mm and are nominal dimensions.

Technical Parameters

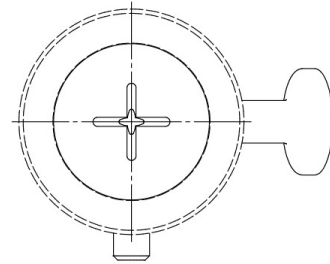
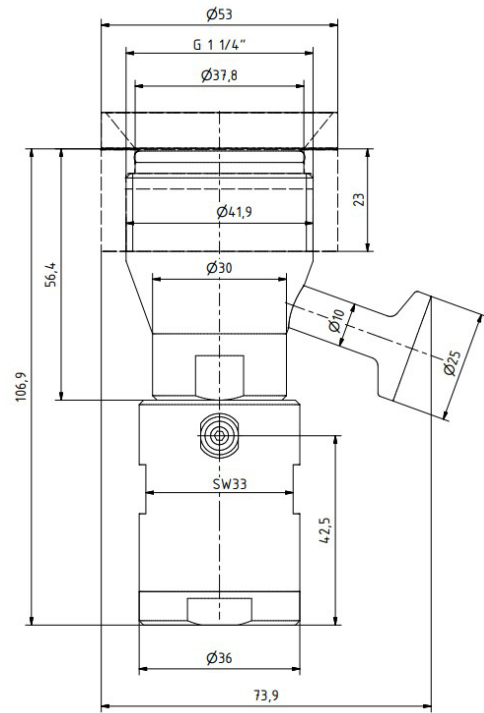
Spray angle:	40°
Materials:	1.4404, 1.4571 (spring), modif. UHMW-PE (PFAS FREE) / modif. PTFE, EPDM (optional FKM und FFKM)
Connections:	Medium connection: Clamp acc. DIN 32676 DN8/10 Reihe A; thread BSP 3/8" Process connection: Clamp DN40; thread BSP 1 1/4" Pneumatic connection: screw-in connection M5, AD4 (5/32")
Operating pressure:	Cleaning medium: 2 - 5 bar / 29 - 72.5 psi
Working temperature:	Cleaning medium: max. 95 °C / 203 °F
Ambient temperature:	PTFE: +5 - 150 °C / 41 - 302 °F UHMW-PE: +5 - 110 °C / 41 - 230 °F
Pressure in the container:	During the process, no cleaning and device closed: 0 - 5 bar / 0 - 72.5 psi During cleaning 0 - 0,5 bar / 0 - 7 psi
Volume flow rate:	0,6-1,1m³/h / 10,3-18,3l/min / 2,7-4,8gpm (US)
Range:	0,5 -2,2m at 0,5-4,0bar / 1,64-7,2ft
Weight:	ca. 1 kg

Dimensions

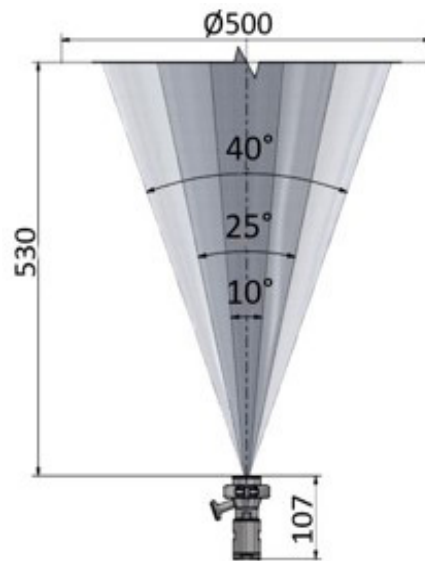
Clamp



Thread

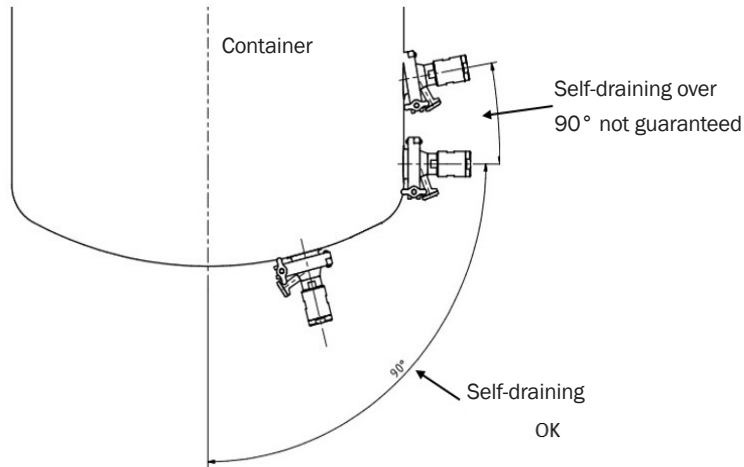


Spray pattern

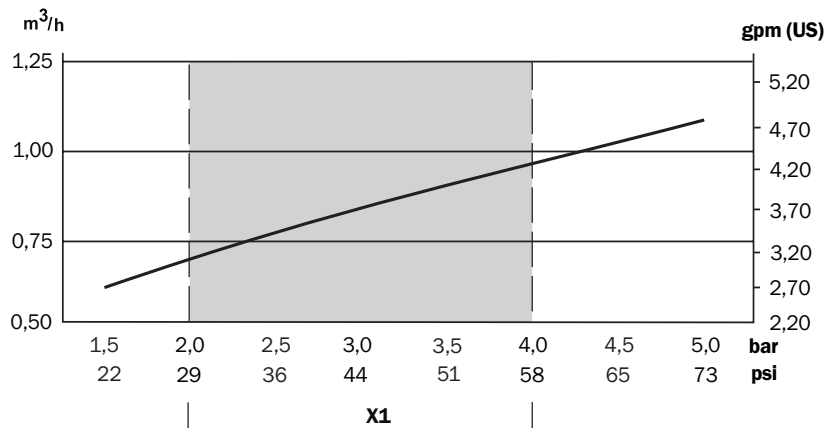


Installation advice regarding self-draining

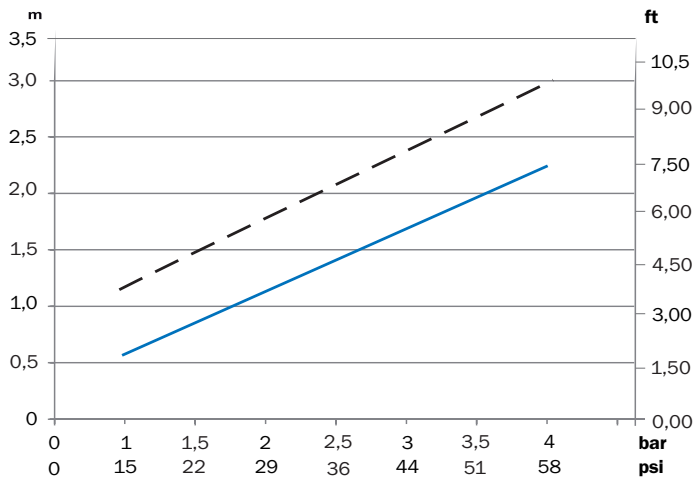
vertical (other installation positions possible)



Consumption and throw length data



X1 - recommend operating pressure



— Cleaning - - - Wetting